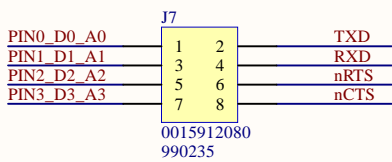
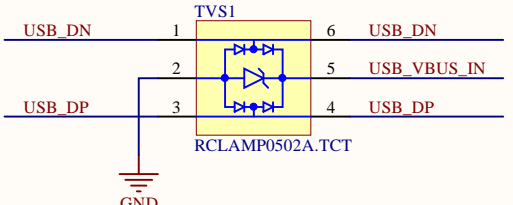
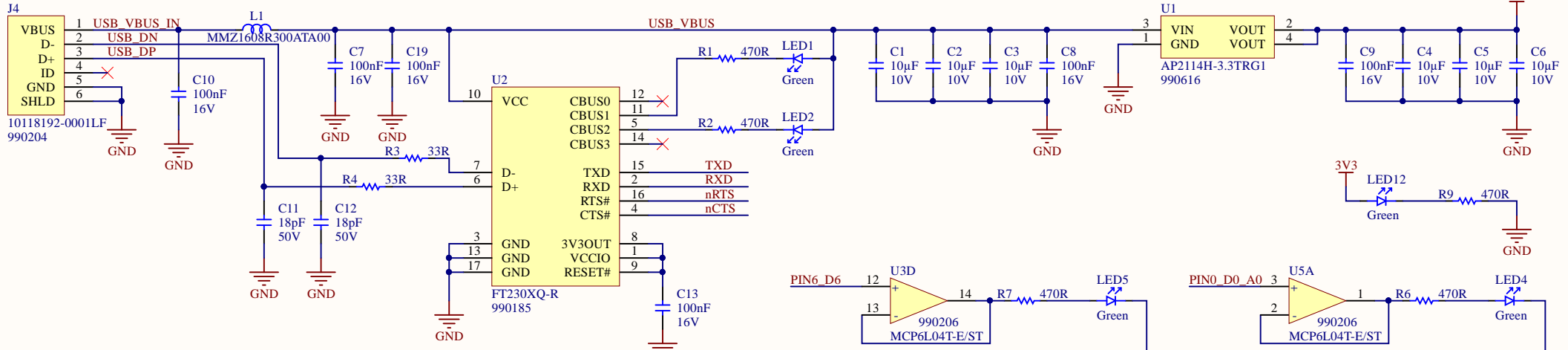
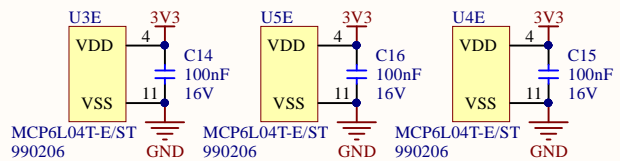
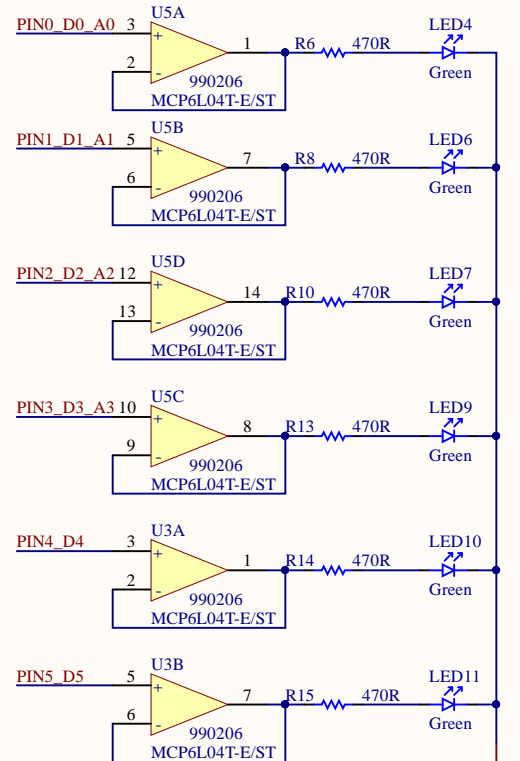
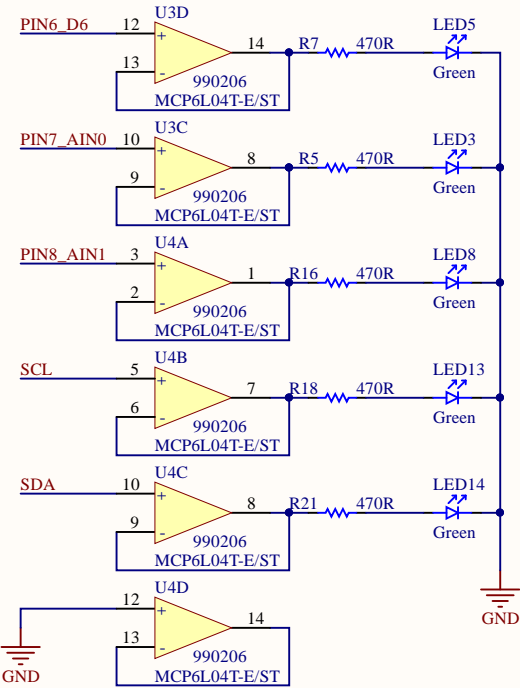


Title mcDev		
Size A4	Number 980001	Revision 4
Date: 5/19/2016	Sheet 1 of 2	
File: C:\mcDev110\...\connectors.SchDoc	Drawn By: Josh Wolf	



Jumpers to connect mcModule pins to USB UART

- FID1
- FID2
- FID3



Title mcDev		
Size A4	Number 980001	Revision 4
Date: 5/19/2016	Sheet 2 of 2	
File: C:\mcDev110\...\mcDev.SchDoc	Drawn By: Josh Wolf	