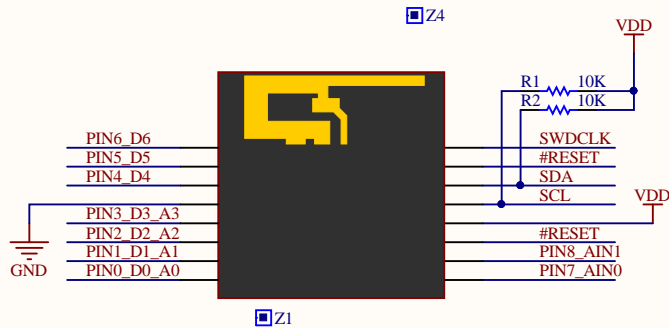
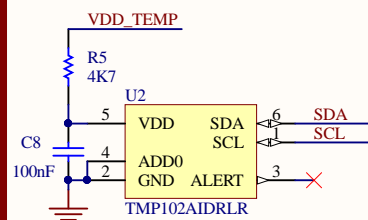
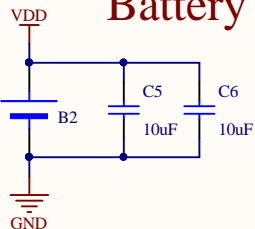


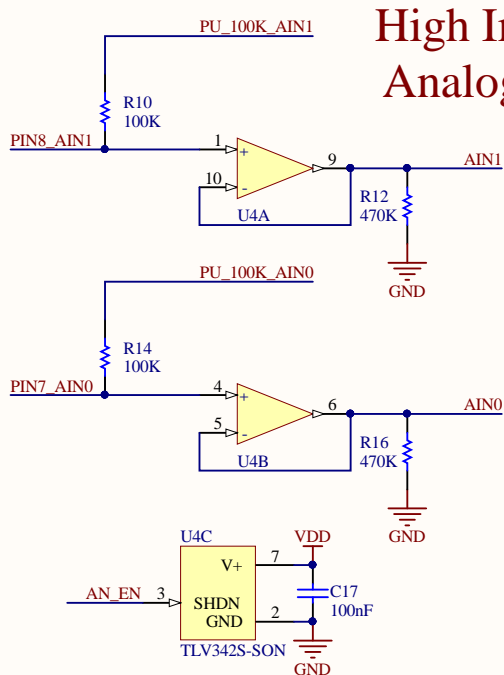
External Pins



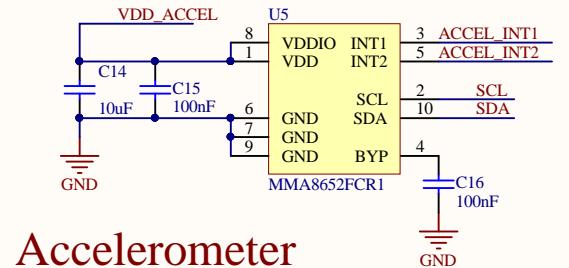
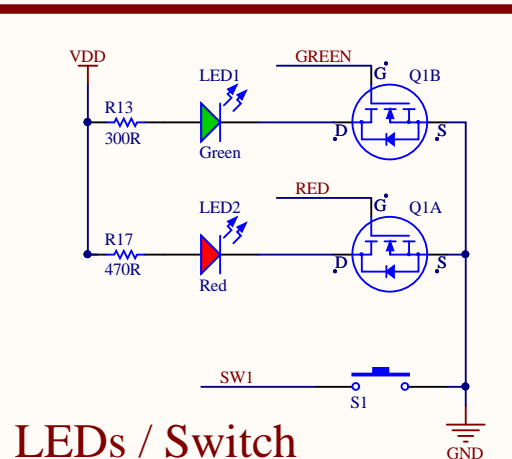
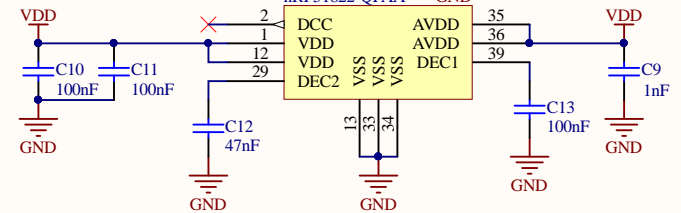
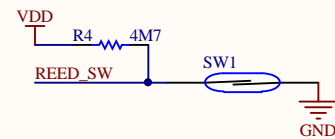
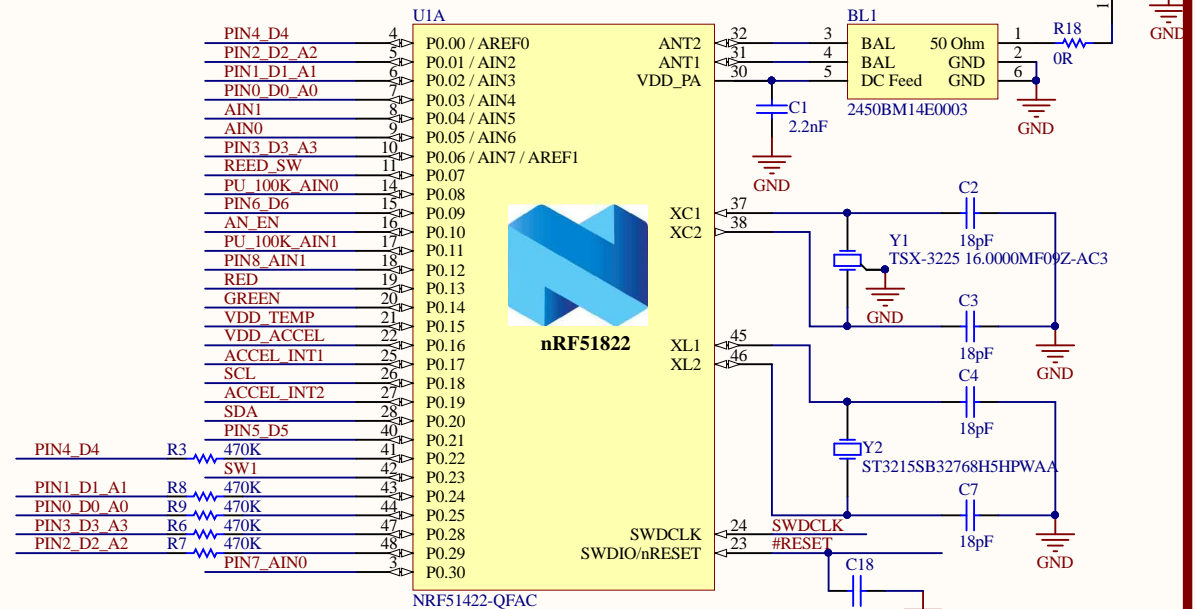
Battery



High Impedance Analog Inputs



MCU / RF



Title		
mcModule		
Size	Number	Revision
Letter	980000	6
Date:	8/12/2016	Sheet 1 of 1
File:	C:\mcMod110\...\mcModule V5.SchDoc	Drawn By: Josh Wolf